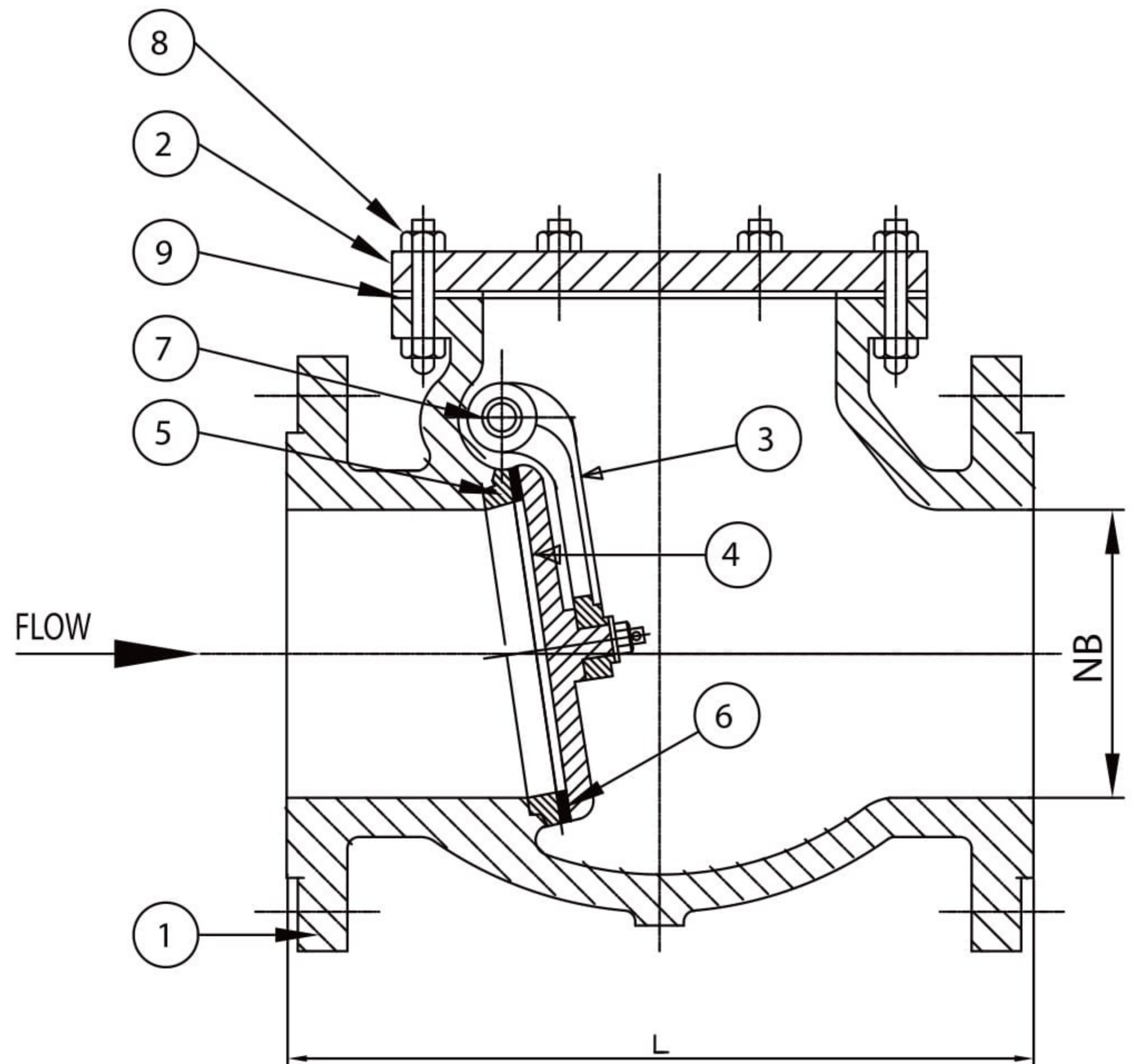


## Technical Specifications - CAST STEEL SWING CHECK TYPE NON RETURN VALVES (150)

<p><b>Type of Valve</b></p> <p><b>Materials of Construction:</b></p> <p>a. Body, Cover &amp; Hinge Bracket  b. Disc  c. Hinge Pin  d. Body Seat-Ring &amp; Disc Face-Ring  e. Gasket  f. Bolts &amp; Nuts  g. Plugs For Hinge Pin</p> <p><b>Design</b></p> <p><b>Dimension</b></p> <ul style="list-style-type: none"> <li>• Flange To Flange</li> <li>• Flange Dimension &amp; Drilling</li> </ul> <p><b>Hydraulic test pressure:</b></p> <ul style="list-style-type: none"> <li>• Body</li> <li>• Seat</li> </ul> <p><b>Range</b></p>	<p>Swing Check Type Non Return Valve, Bolted Cover, Renewable Seat-Rings</p> <p>CS to ASTM A 216 Gr. WCB  CS to ASTM A 216 Gr. WCB.  SS to AISI 410 / 304 / 316  SS to 13% Cr. Steel / AISI SS 304 / 316  CAF or as per customer requirement.  ASTM A 193 Gr B7/A 194 Gr 2 H  Carbon Steel to IS 7283 1974.</p> <p>BS:1868 CL 150 / 300</p> <p>ANSI B 16.10  ANSI B 16.5 Class 150 RF / 300RF</p> <p>32 Kg/Cm<sup>2</sup>  22 Kg/Cm<sup>2</sup></p> <p>50 mm NB to 300 mm NB</p>
--	--

**Part Name:**

1. Body
2. Cover
3. Hinge Bracket
4. Disc
5. Body Seat-Ring
6. Disc Face-Ring
7. Hinge Pin
8. Bolts & Nuts
9. Gasket



- Note**
- Description given is generalized, may vary as per requirement.
  - Specifications given above are subject to change as per revisions in standards without notice.
  - Quotations are based on customer's requirement and data. Customers are requested to send specific requirement for an offer.
  - All sizes in millimeter

**H. Sarker & Company Valves (P) Ltd.**

**Works:** Phone: +91 33 2653 1214 / 0061 • eMail: [hsblt09@gmail.com](mailto:hsblt09@gmail.com)  
**Regd. Office:** Ajit Sen Bhawan, 13 Crooked Lane, 2nd Floor, Kolkatta 700 069.  
Phone: 033-22109163

